



# Balun-P/S Balun-B1/B2

G.703 Coax to Twisted Pair

A balun is a type of electrical transformer that can convert electrical signals that are balanced to signals that are unbalanced and vice versa. They are also used to change impedance of twisted pair's 120 ohm to coaxial's 75 ohm. An E1 balun's function is generally to convert an E1 carrier signal from coaxial cable to UTP CAT-5 cable.

## Features

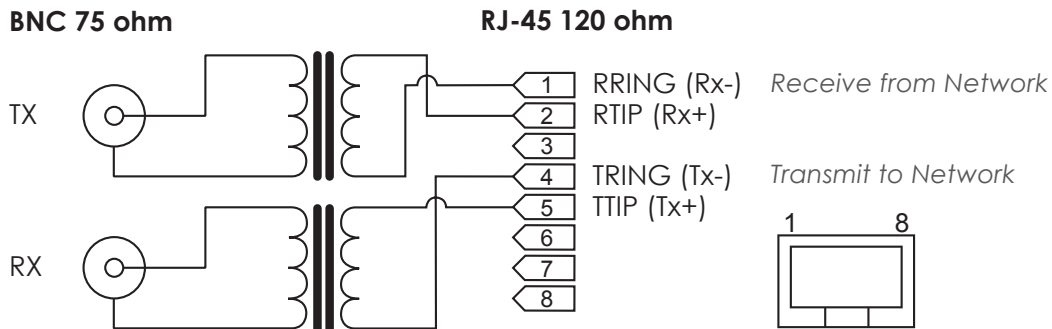
- Converts between 75 ohm coax and 120 ohm twisted pair for E1 (2048Kbps)
- Easy to install
- No power required
- Small, light-weight Balun
- Works in either direction
- Works for balanced and unbalanced E1

## Specifications

<b>Data rate</b>	2048Kbps
<b>Unbalanced interface</b>	75 ohm impedance, 2xBNC
<b>Balanced interface</b>	120 ohm impedance, 1xRJ-45
<b>Insertion loss</b>	0.2dB (2Mbps)
<b>Return loss</b>	-29dB (2Mbps)
<b>Dimensions</b>	Balun-B2/S, Balun-B2/S-2 54 x 44 x 25 mm (W x D x H)
	Balun-B1 56 x 22 x 21mm (D x W x H)
	Balun-P/S, Balun-P/S-2 22 x 224 x 21mm (W x D x H)

<b>Weight</b>	Balun-B2/S, Balun-B2/S-2	35g
	Balun-B1	65g
	Balun-P/S, Balun-P/S-2	45g
<b>Compliance</b>	ITU G.703 standard pulse	
<b>Operating Temperature</b>	0 ~ 75°C	

## Application



## Ordering Information

Model Name	Description
<b>Balun-P/S</b>	Two BNC pigtail type RJ45 Shielded - 2xBNC/M with 6" pigtail RJ45 PIN ASSIGNMENT: P1(+) / P2(-), P4(+) / P5(-)
<b>Balun-B1/S</b>	One BNC box type RJ45 Shielded - 1xBNC/M RJ45 PIN ASSIGNMENT: P4(+) / P5(-)
<b>Balun-B2/S</b>	Two BNC box type RJ45 Shielded - 2xBNC/F RJ45 PIN ASSIGNMENT: P1(+) / P2(-), P4(+) / P5(-)

Balun - □ / □  
Example: Balun - P/S